

The module is a part of the Smart Hotel GRMS control system, it combined with Smart Hotel Room total power switch model to realize the room total power on/off. Built in Card hold sensor, Room service control buttons (Back Lit), 2 Dry connector, Online update. Bus Enabled Network. Secure, Screw less Fixing Magnet Technology.

technical data



Features

- Card in & out auto sensing
- Service requires input button (DND/Clean/Laundry)
- Service status indicator can be extended to the outside

Control IO

- 1 x Advanced RS485 S-BUS serial port links (train types)
- 2 x Dry Connector for general purpose
- 3 x Button for service requires input
- 1 x cord holder slot
- 3 led out port (DND/Clean/Laundry)

Upgrade IO

- 1 x mini USB port (to connect to special programming board)

Programming

- Advanced Software Configuration & Programming

Compliance

- CE Mark EMC
- ROHs
- UL Listed Relays Inside

SBUS DC Supply

24VDC with flexible tolerance between 8-36VDC. Flexible ability to add power supply as to be needed any where
Power consumption: 20mA

Installation

- wall Mount metal frame twist
- Magnetic screw less mounting
- Advanced security locking
- Easy SBUS connector tech.

Operating Environment

0° to 45°C ambient temperature
20% to 93% RH

Enclosure material

Aluminum, Glass, and poly

Dimensions & Weight

L85mm x W85mm x H26.8mm;
weight:0.13Kg



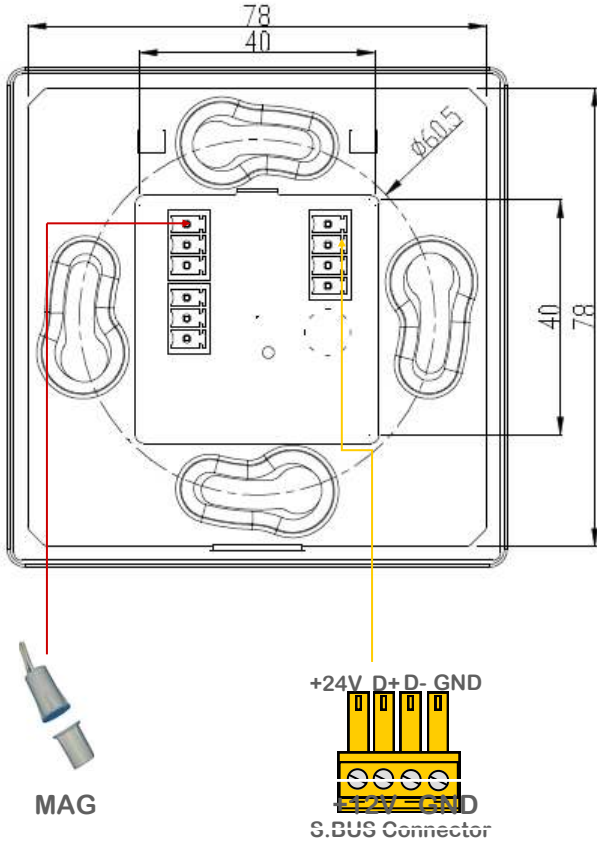
control compatibility

- Smart Hotel all other module

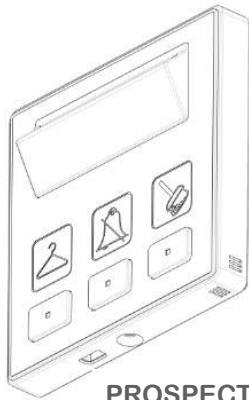
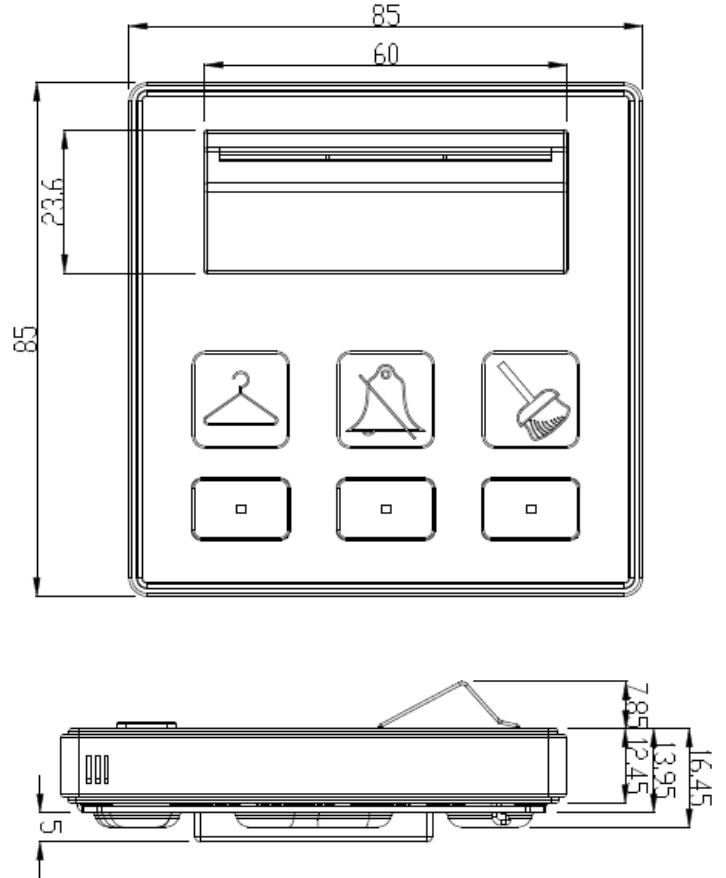


GTIN (UPC-EAN): 0610696254351
Patent P. No:

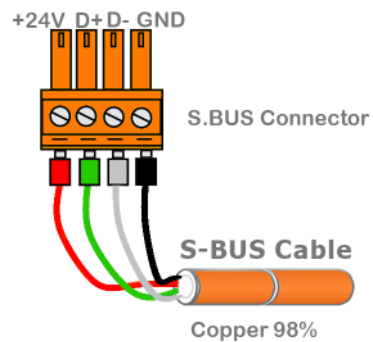
connection diagram











mounting dimensions



S-BUS connection



UTP core colors

S.BUS +24V		כתום
S.BUS GND		כתום / לבן
S.BUS D+		כחול
S.BUS D-		כחול / לבן
Spare		ירוק
Spare		ירוק / לבן
Spare +12v		חום
Spare -12V		חום / לבן