

The module is a part of the Smart Hotel GRMS control system, built in Mifare Proximity Card Reader, Large-capacity flash memory (save up to one year open door log), Room service state indication (Back Lit), Door Relay for Lock Control, Logic Control Module & Time Clock, Buzzer, Online update. Bus Enabled Network. Secure, Screw less Fixing Magnet Technology, Include 1Z for Door Magnet, No Need for Special Back box (Uses standard3x3)

### technical data



### Mifare Proximity Card Reader Compatibility

- Mifare s50 Card
- Mifare s70 Card

### Extra features

- Card authority level can be set (the guest card & hotel management card)
- Password management
- Can store the access log number up to 50000
- Access log can be derived, deleted by SBUS
- Warning when the door long time is open state

### Control IO

- 1 x Advanced RS485 S-BUS serial port links (train types)
- 1 x 0.5A Relay for Lock Control
- 1 x Dry Node for connect with door magnet (Enable NC/NO)
- 1 x Dry Node for general purpose
- 1 x Buzzer

### Upgrade IO

- 1 x mini USB port (to connect to special programming board)

### User Controls

- Diagnostic LED+ BROADCAST

### Programming

- Advanced Software Configuration & Programming

### Compliance

- Smart hotel all model

### Operation Protection

- BUS Rv. Polarity Protection
- BUS Short Circuit Protection

### SBUS DC Supply

24VDC with flexible tolerance between 8-32VDC. Flexible ability to add power supply as to be needed any where  
Power consumption: max 30mA

### Installation

- wall Mount metal frame twist
- Magnetic screw less mounting
- Advanced security locking
- Easy sBUS connector tech.

### Operating Environment

0° to 45°C ambient temperature  
20% to 93% RH

### Enclosure material

Aluminum, Glass, and poly

### Dimensions & Weight

L85mm x W85mm x H19.7mm;  
weight:0.12Kg

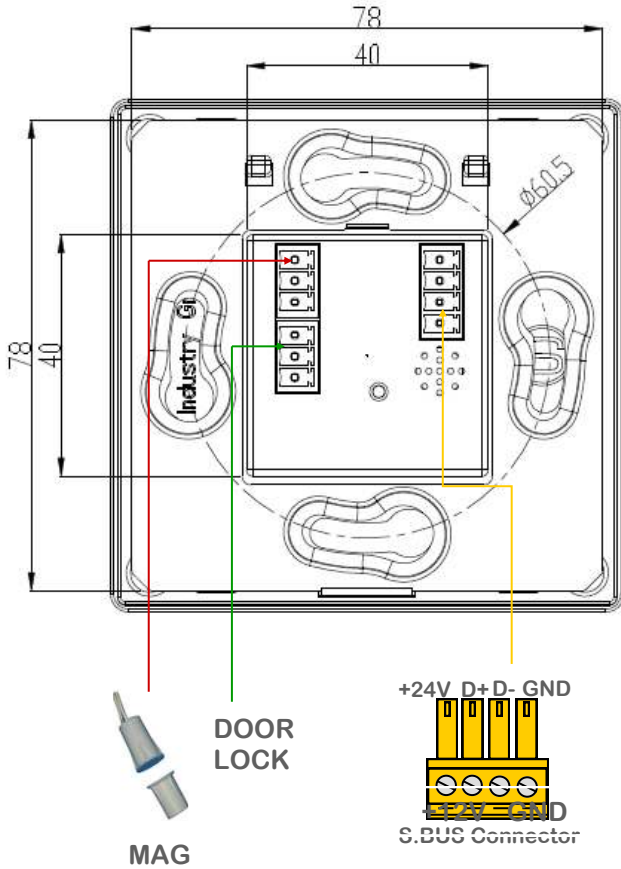


### control compatibility

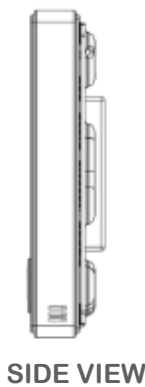
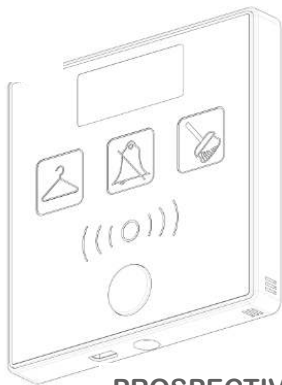
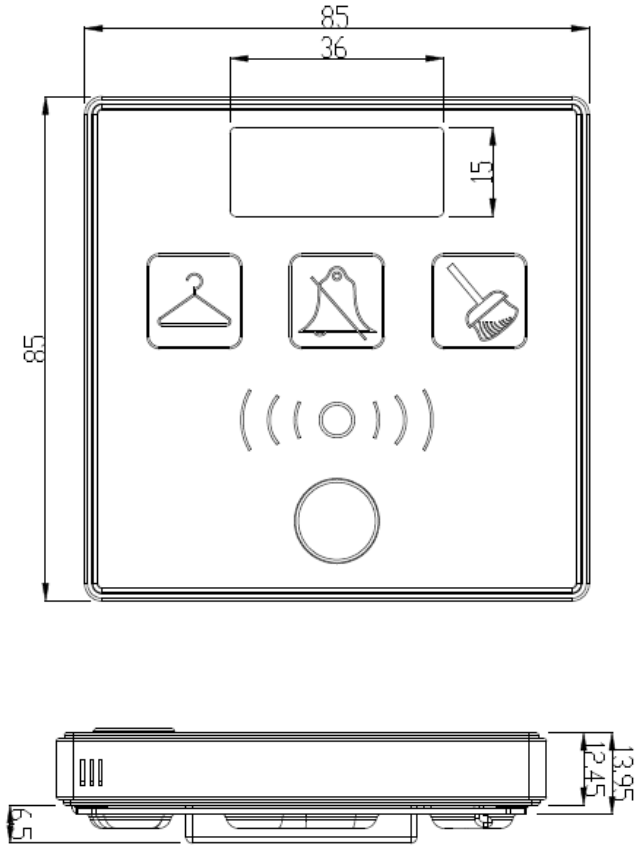


GTIN (UPC-EAN): 0610696254337  
Patent P. No:

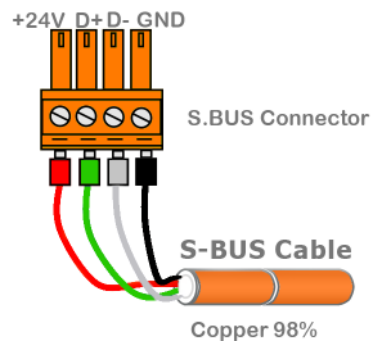
### connection diagram



### mounting dimensions



### S-BUS connection



### UTP core colors

S.BUS +24V	—	כתום
S.BUS GND	- - -	כתום / לבן
S.BUS D+	—	כחול
S.BUS D-	- - -	כחול / לבן
Spare	—	ירוק
Spare	- - -	ירוק / לבן
Spare +12v	—	חום
Spare -12v	- - -	חום / לבן