

בקר 12 מוצאים. 10 אמפר למוצא. לחצנים עוקפים ולחצני תכנות לכל ערוץ. מותאם לעד 6 תריסים חשמליים. בקר מצבים מובנה. זיכרון קשיח. גודל פיזי של 8 מקום. מותאם ללוח חשמל ביתי. התקנה קלה ומהירה. כל מוצא עצמאי. חיבור מקורות זינה שונים. כניסת מיני USB חיצוני מאפשר עדכוני תוכנה.

technical data



New added features as Simultaneous operation:

- a- Multi Phase
- b- Multi Current
- c- Multi Voltage
- d- Double Throw
- e- momentary
- f- Latching / toggling
- g- Scene from multi Units

Supply

80-230VAC, 50/60Hz 1-3Phase and Pass through 1.5-48VDC. power consumption: 20-30mA

Outputs

12 x Isolated & Separated Switched Pass through outputs rated at 9A each output ch.

Maximum Total Load

100A total load of all channels

Control IO

3 x Advanced RS485 S-BUS serial port links (both train & screw link types)

Upgrade IO

1 x mini USB port (to connect to special programming board)

User Controls

- front panel override switches, Includes ON/OFF/AUTO override switch for each channel
- LED status indicator/channel
- Diagnostic LED+ BROADCAST

Programming

- Manual Ch. Pairing Programming Each Channel to a Button on Wall Panels (e.g. DDP, 6B)
- Advanced Software Configuration & Programming

Compliance

CE Mark Low Voltage
CE Mark EMC
ROHs, CPT, SABS

Internal Protection

- Over Load Protection
- Protecting Delay 0-60min
- Startup Delay 0-25 Sec.
- BUS Rv. Polarity Protection
- BUS Short Circuit Protection

Preset and Scenes

12X12 Built in Scenes, & 12X2 Sequence Modes & Logics.

Installation

- 35mm DIN-Rail Mount Ready
- Wall Mount Ready (8P)

SBUS DC Supply

24VDC with flexible tolerance between 12-36VDC. Flexible ability to add power supply as to be needed any where

Supply Terminals

12 each is good for 2 x 2.5mm² or 1 x 4mm² max conductor size

Output Terminals

12 each is good for 2 x 2.5mm² or 1 x 4mm² max conductor size

Operating Environment

0° to 45°C ambient temperature
10% to 93% RH

Enclosure & Size

Polycarbonate, DIN-rail (8 Unit)

Dimensions & Weight

W 91mm x L 145mm x H 75mm
Packed weight 0.7kg



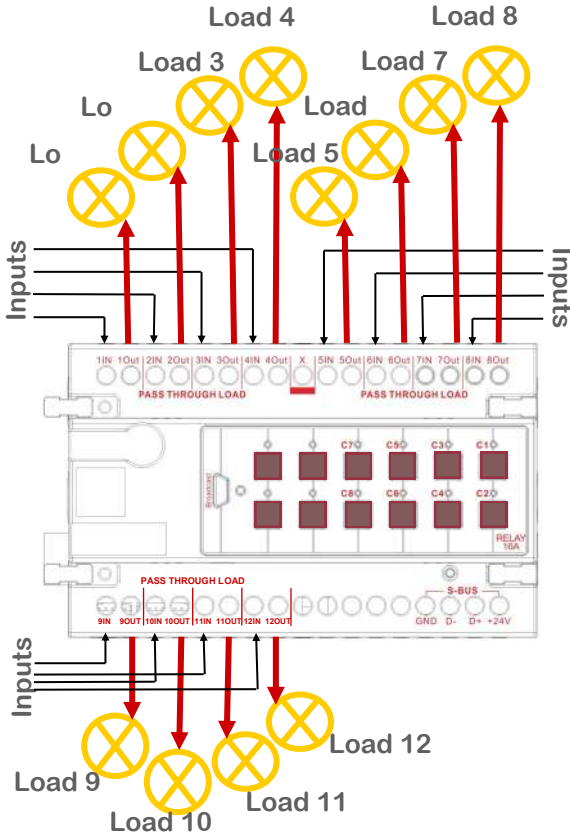
load compatibility

- All Types of Lighting
- Water Heaters & Appliances
- Water Pumps & Solenoids
- Track lighting
- Sirens, Flashers++

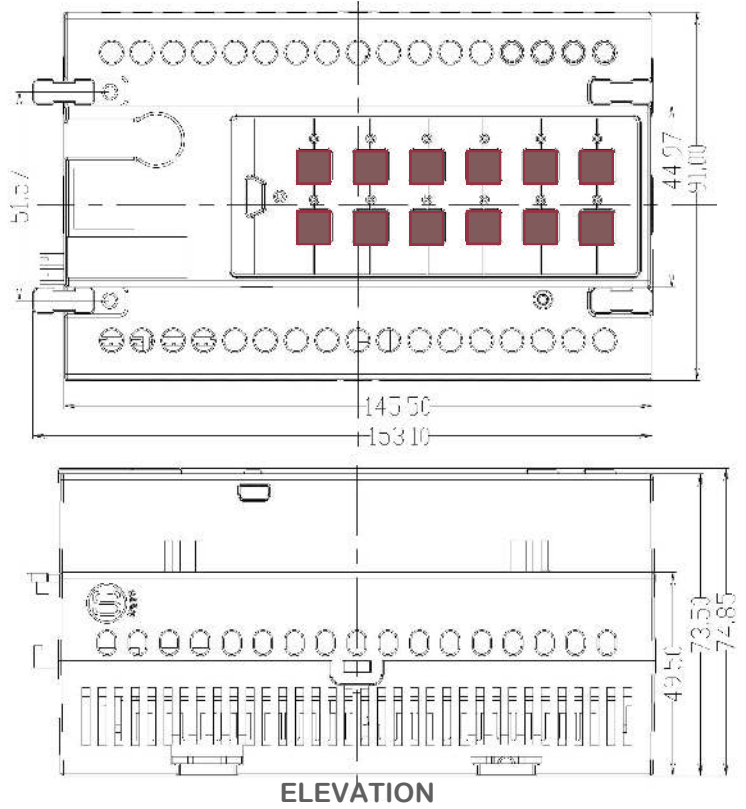


GTIN (UPC-EAN): 0610696254375
Patent P. No: 201110123081.0

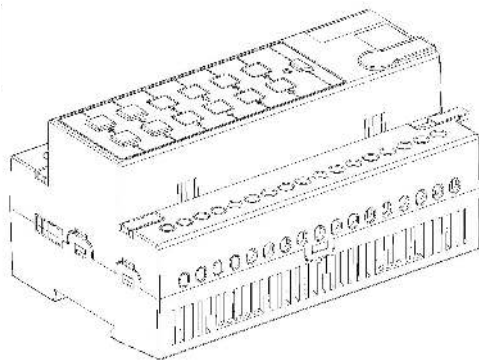
electrical diagram



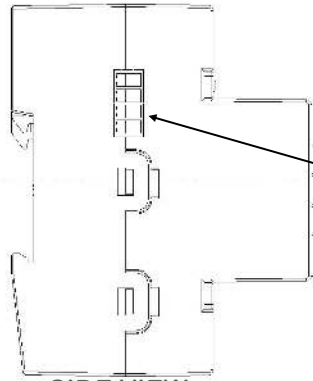
mounting dimensions



Warning: this is an electrical product, it must be installed only by trained & licensed electrician

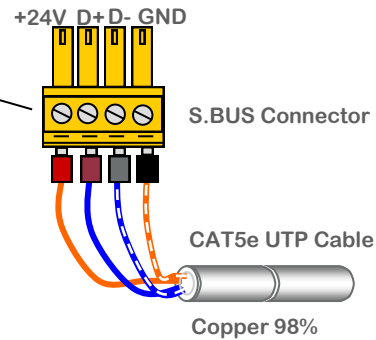


PROSPECTIVE



SIDE VIEW

S-BUS connection



UTP core colors

S.BUS +24V	כתום
S.BUS GND	כתום / לבן
S.BUS D+	כחול
S.BUS D-	כחול / לבן
Spare	ירוק
Spare	ירוק / לבן
Spare +12v	חום
Spare -12V	חום / לבן