

.....
 בקר לד דרייבר - 4 ערוצים. כל ערוץ 12 וולט / 1 אמפר למוצא. מתאים לחיבור עד 4 פסי לד 12 וולט.
 מותאם לשילוב ודימור פס לד RGB כניסת מיני USB חיצוני מאפשר עדכוני תוכנה.

technical data



Compatibility

Any Dimmable LED with Constant Voltage. (12VDC/24VDC)

Functions

Control color Mixing RGBW
 Control Channels (4 Channels)
 Total Bus Control (Color, Intensity, Color Changing Speed, & Pulse Speed)

Manual SA Operation

Manual Operation Possible for:
 Color Selection
 Intensity/Brightness Adjust
 Channel Change Speed

Power Input

5A - 12VDC or 24VDC to Support LED Power Needs

Power Output

12VDC or 24VDC
 Rated as 1A per Channel Max And Total of 4A

Control IO

1 x Advanced RS485 S-BUS serial port links (both train & screw link types)

Heat

Heat Dissipation technology Utilizing the Body as heat Sink

Compliance

CE Mark EMC
 ROHs, CPT

Operation Protection

- Reverse Polarity Protection
- Short Circuit Protection
- Overheat Protection
- Overload Protection

SBUS DC Supply

24VDC with flexible tolerance between 12-36VDC. Flexible ability to add power supply as to be needed any where

Upgrade IO

1 x mini USB port (to connect to special programming board)

User Controls

- LED status indicator/channel
- Diagnostic LED+ BROADCAST

Programming

- Advanced Software Configuration & Programming

Installation

- Wall Mount Ready

Operating Environment

0° to 45°C ambient temperature
 10% to 93% RH

Enclosure & Size

Aluminum

Dimensions & Weight

W 91mm x L 73mm x H 75mm
 Packed weight 0.26 kg



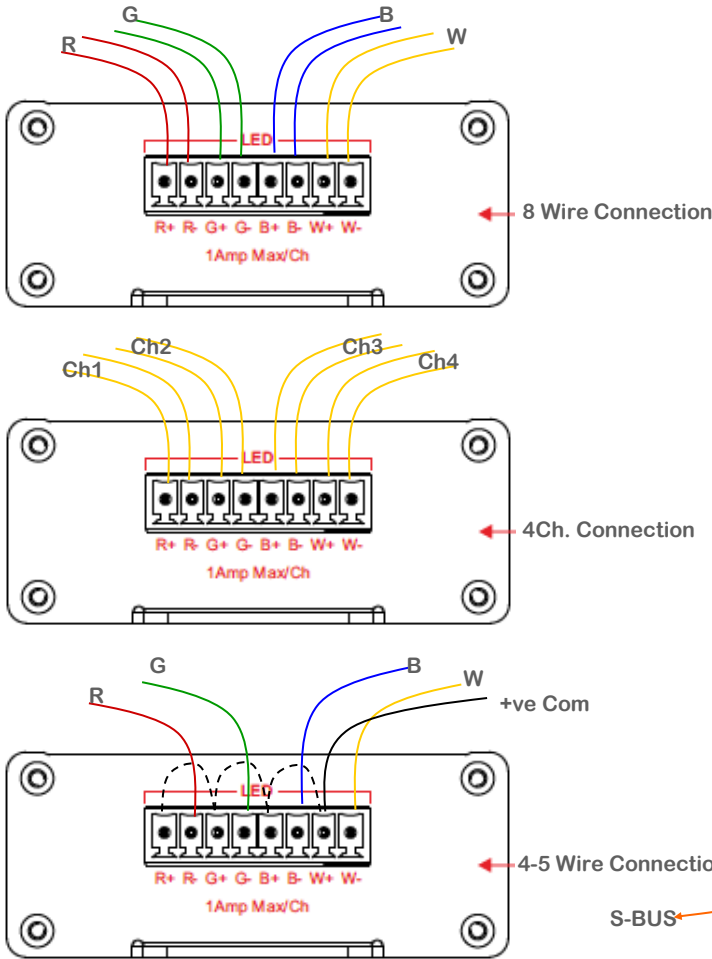
Applications

.....
 LED Control Needs (on/Off, Dimming, Mixing, Color Change, Speed)

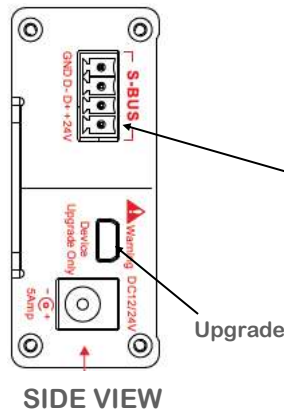


.....
 GTIN (UPC-EAN): 0610696253941

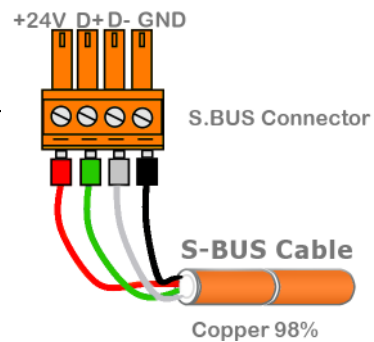
connection options



connection topology



S-BUS connection



UTP core colors

S.BUS +24V		אדום
S.BUS GND		שחור
S.BUS D+		ירוק
S.BUS D-		לבן