

.....
 בקר דימר 4 מוצאים. 3 אמפר למוצא. לחצנים עוקפים ולחצני תכנות לכל ערוץ. בקר מצבים מובנה. זיכרון קשיח. חובה - חיבור פיזי מהיר בכל מוצא. הסבר באתר החברה תחת המוצר. גודל פיזי של 8 מקום. מותאם ללוח חשמל ביתי. התקנה קלה ומהירה. מקור זינה אחד. כניסת מיני USB חיצוני מאפשר עדכוני תוכנה.

technical data



Supply

80-240V, 50/60Hz Single Phase
power consumption: 20-30mA

Outputs

4 x dimmed outputs
(leading edge phase control) at
3A each output channel

Maximum Total Load

10A recommended total load

Control IO

3 x Advanced RS485 S-BUS
serial port links (both train &
screw link types)

Upgrade IO

1 x mini USB port (to connect to
special programming board)

User Controls

- front panel override switches, Includes ON/OFF/AUTO override switch for each channel
- LED status indicator/channel
- Diagnostic LED+ BROADCAST

Programming

- Manual Ch. Pairing Programming Each Channel to a Button on Wall Panels (e.g. DDP, 6B)
- Advanced Software Configuration & Programming

Compliance

CE Mark Low Voltage
CE Mark EMC
ROHs, CPT, SABS

Internal Protection

- Over Heat Protection
- Over Load Protection
- BUS Rv. Polarity Protection
- BUS Short Circuit Protection

Preset and Scenes

4X12 Built in Scenes, and 4X4
Sequence Modes and Logics.

Installation

- 35mm DIN-Rail Mount Ready
- Wall Mount Ready (8P)

SBUS DC Supply

24VDC with flexible tolerance
between 8-36VDC. Flexible
ability to add power supply as
to be needed any where

Supply Terminals

Line, 3X Neutral. 2 x 2.5mm²
or 1 x 4mm² max conductor size

Output Terminals

COM. 1X OUT for each channel
1 x 4mm² max conductor size

Operating Environment

-10° to 45°C ambient tempera-
ture 10% to 93% RH

Enclosure & Size

Polycarbonate, DIN-rail (8 Unit)

Dimensions & Weight

W 91mm x L 145mm x H 75mm
Packed weight 0.6kg

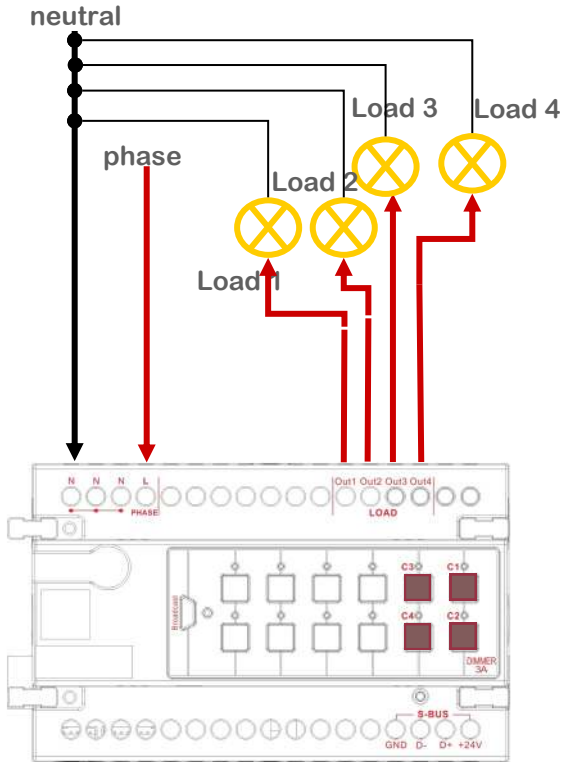


load compatibility

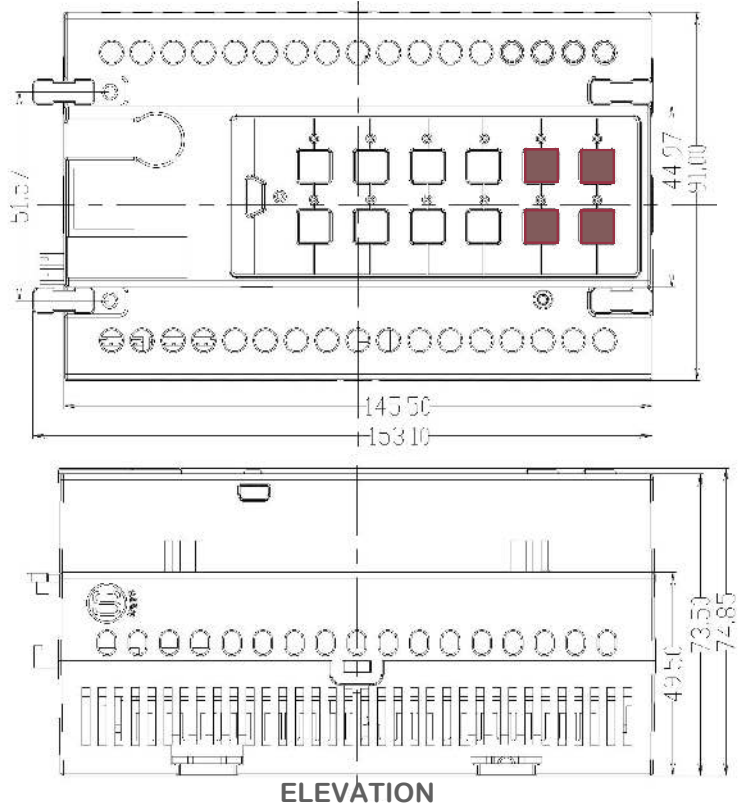
-
- Leading edge electronic transformers (Spot/Down Lights++)
 - Incandescent lamps • Track lighting
-

GTIN (UPC-EAN): 0610696253873
Patent P. No: 201110123081.0
Patent No: 201120452441.7

electrical diagram



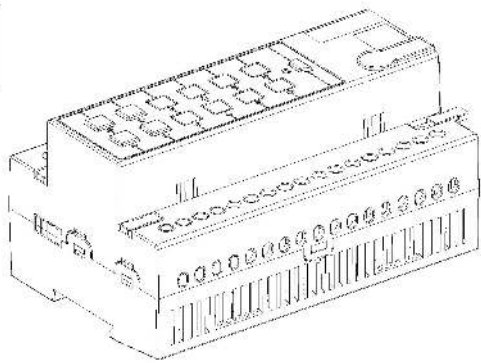
mounting dimensions



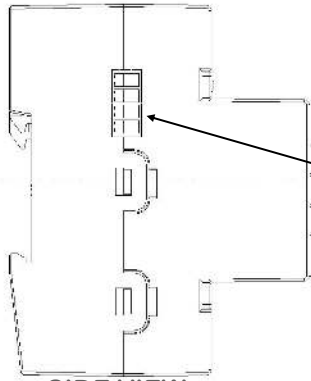
*Loads must be from same section & phase



Warning: this is an electrical product, it must be installed only by trained & licensed electrician

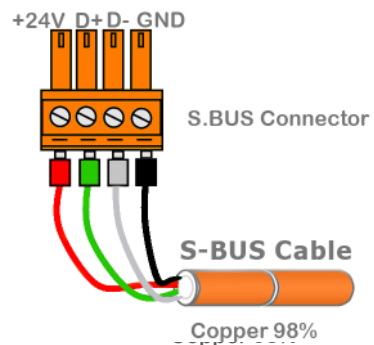


PROSPECTIVE



SIDE VIEW

S-BUS connection



UTP core colors

S.BUS +24V		אדום
S.BUS GND		שחר
S.BUS D+		ירוק
S.BUS D-		לבן