

.....  
גלאי אינפרא תקרתי חכם. 9 פעולות בגלאי אחד. כתובתי, חיישן טמפרטורה, חיישן תאורה, גלאי תנועה, גלאי אזעקה, מקלט אינפרא (עד 250 קודים), משדר אינפרא 360 מעלות, 2 כניסות מגעים יבשים.  
.....

**technical data**



**Inputs**

2-Dry Inputs (Volt Free) +  
1 PIR 10mX110 degrees ,  
1 LUX Sensor Inbuilt,  
IR Receiver inbuilt,  
1 Temperature sensor inbuilt.

**NO/NC**

Internal Assignment enabled

**Applications**

- Security Applications in connection to: (vibration, UV, magnetic contacts, Panic, Pressure matt, PIR, microwave, Drive-way sensors...etc.)
- Safety Applications in connection to: (Gas Leak, Smoke, Pool Guard, Elevator Panic, CO gas, Bathroom Help..etc.)
- Maintenance and Health Applications in connection to: (water Leak detector, water tank low level alert, Filter sensor...etc.)
- Logic Control
- HVAC and energy Saving
- Media IR control

**User Controls**

- LED status indicator/channel
- Diagnostic LED+ BROADCAST

**Programming**

- Advanced Software Configuration & Programming
- Manual pair to HVAC & 1Light

**Compliance**

CE Mark EMC

**Controls**

1 x Advanced RS485 S-BUS serial port links (screw link)  
1 x 360 degree IR emitter  
32 logic lines & 250 prog. Flags  
250 IR codes can be saved  
Burglar security and Home safety Zone control function.

**Upgrade IO**

1 x mini USB port (to connect to special programming board)

**Operation Protection**

- BUS Rv. Polarity Protection
- BUS Short Circuit Protection

**SBUS DC Supply**

24VDC with flexible tolerance between 12-36VDC. Flexible ability to add power supply as to be needed any where  
Power consumption: 15mA

**Installation**

- Ceiling Mount Twist & Lock Ready

**Operating Environment**

0° to 45°C ambient temperature  
20% to 93% RH

**Enclosure Material**

Polycarbonate

**Dimensions & Weight**

W 85mm x L 85mm x H 39mm  
Packed weight 0.15 kg

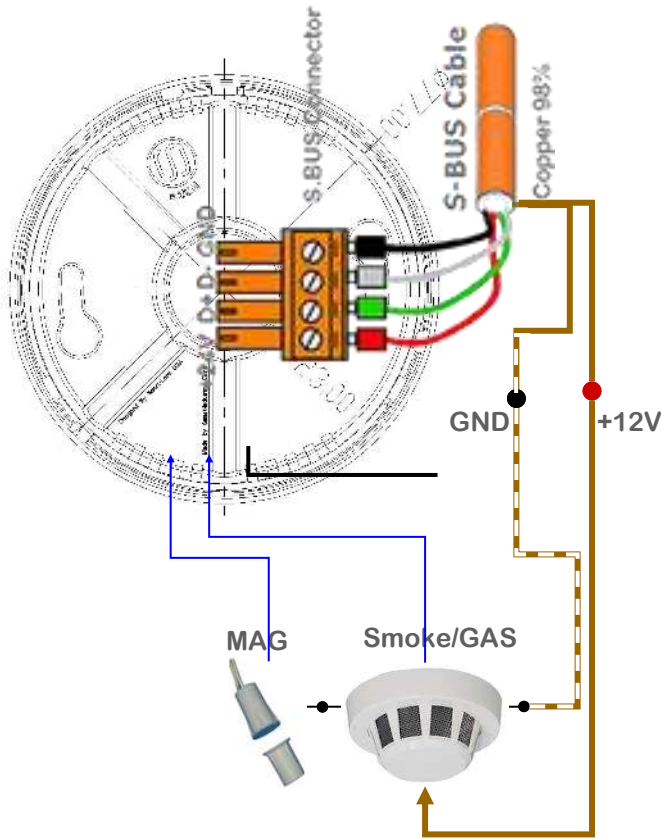


- .....
- |              |          |                 |          |
|--------------|----------|-----------------|----------|
| • Security   | • Safety | • Maintenance   | • Health |
| • Automation |          | • Media control | • HVAC   |
- .....

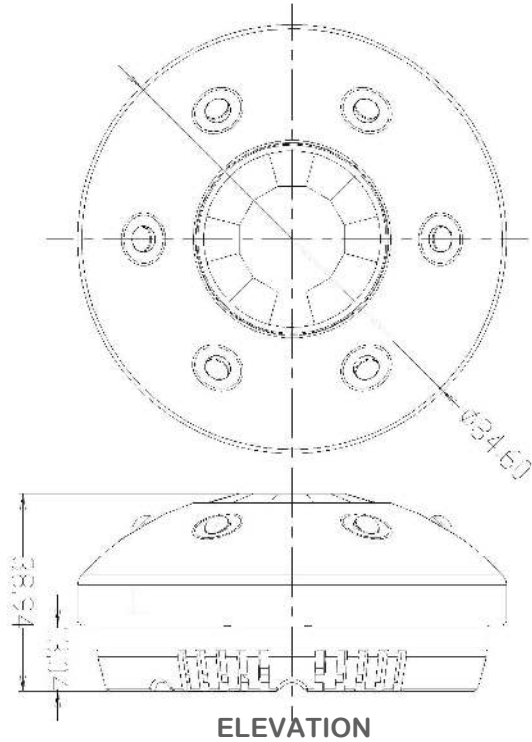


GTIN (UPC-EAN): 0610696253996  
Patent P. No: 201110123081.0  
Patent P. No: 201120213375.8

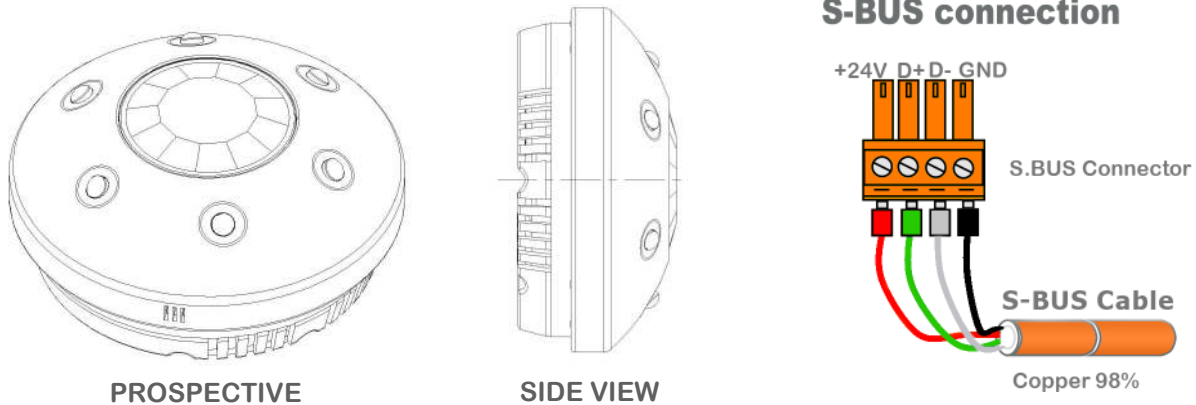
**connection diagram**



**mounting dimensions**



**S-BUS connection**



**UTP core colors**

S.BUS +24V		אדום
S.BUS GND		שחר
S.BUS D+		ירוק
S.BUS D-		לבן