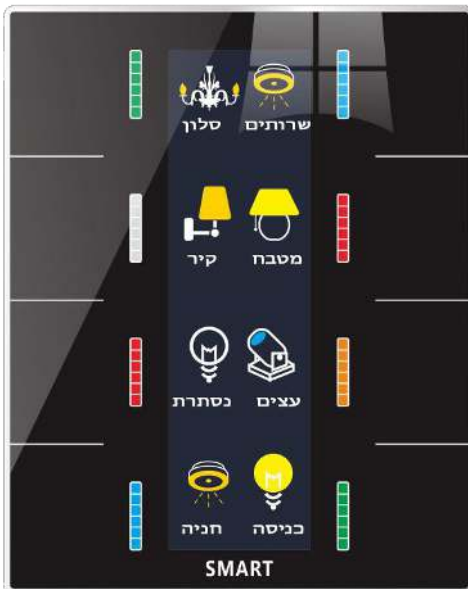


פנל 8 כפתורי מגע זכוכית, עיצוב תאורת RGB משתנה לכל כפתור.
תכנות לחצני ההפעלה החכמים בהתאם לצורכי הלקוח לשליטה על תאורה, תריסים, מיזוג, מצבים, אודיו ווידאו.
תצוגת תיאור לחצני ההפעלה על ידי כיתוב ו/או אייקון מתאים.
פנל אלגנטי וקל לשימוש.

technical data



Extra features :

Lockable IR receiver
LED (RGB) backlit buttons
Reloadable IR receiver 15m
Screw less mounting
Easy S-BUS connector tech.

Control Applications :

lighting, HVAC, security, motorized shades, music, mood and scenes, fountains, irrigation, gates, LED color, service request, panic, code entry, lifts, media equipment...etc.

User Controls :

* user control buttons
* Diagnostics + BROADCAST

Button behavior :

Single click (On/Off toggle)
Double click (mood/Macro)
Keep press (dim/ramp)

Programming :

* Manual Pairing to Lighting,
* Advanced Software Configuration & Programming

Compliance

CE Mark EMC, ROHs

Total Gangs

8 Gangs

Control IO

1 x Advanced RS485 S-BUS serial port links (both train & screw link types)

Controls:

1 x Advanced RS485 S-BUS serial port links (both train & screw link types)

Operation Protection:

* BUS Rv. Polarity Protection
* BUS Short Circuit Protection

SBUS DC Supply :

24VDC with flexible tolerance between 8-32VDC. Flexible ability to add power supply as to be needed any where
Power consumption: 40mA

Upgrade IO

1 x mini USB port (to connect to special programming board)

Operating Environment :

0o to 45oC ambient temperature
20% to 93% RH

Enclosure material

Plastic & Glass

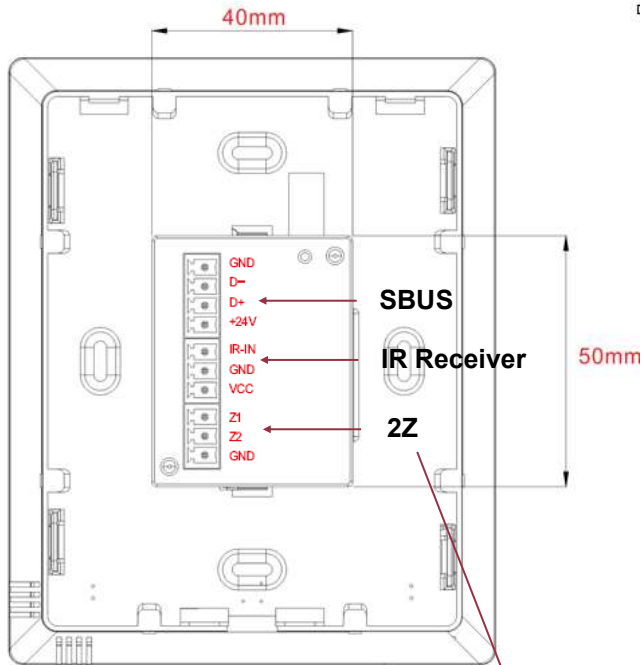
control compatibility

• Lighting • Music • Curtains • Moods • Security
• Service • Color • Drapes • Pumps • Gates

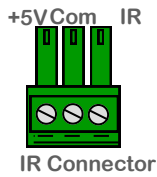
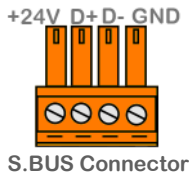
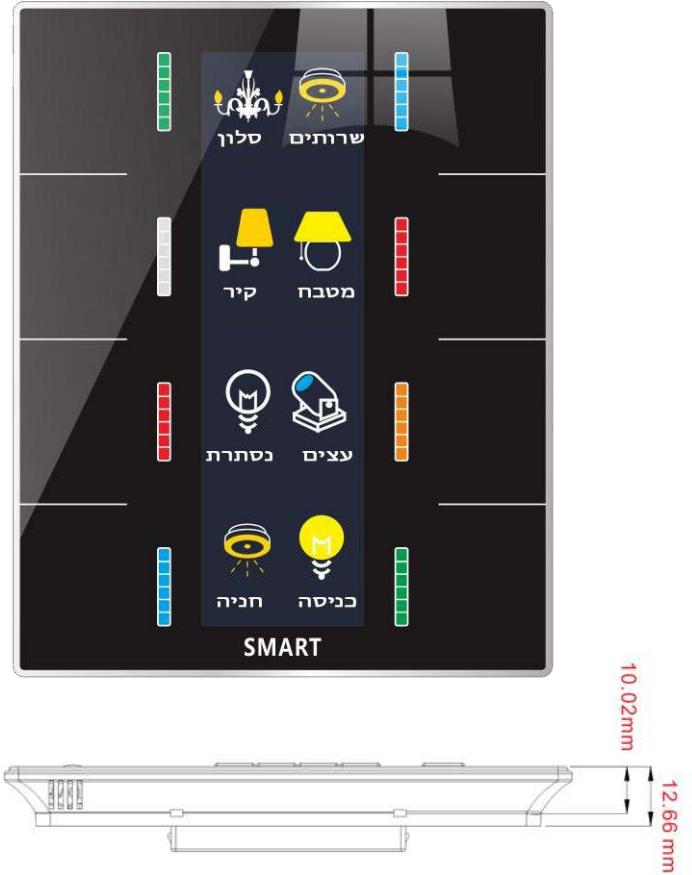
commercial

GTIN (UPC-EAN): 0610696255068
Patent P. No: 201110123081.0

connection diagram

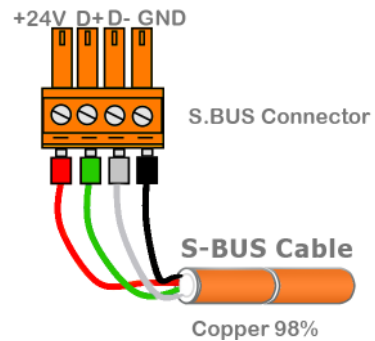


mounting dimensions



Magnetic Contact

S-BUS connection



SIDE VIEW

UTP core colors

S.BUS +24V		אדום
S.BUS GND		שחר
S.BUS D+		ירוק
S.BUS D-		לבן

