

בקר 0-10V - 6 ערוצים. מתאים לדימור תאורה 0-10V, 6 אמפר לערוץ. לחצנים עוקפים ולחצני תכנות לכל ערוץ. בקר מצבים מובנה. זכרון קשיח. גודל פיזי 8 מקום.

technical data



Supply

80-240V, 50/60Hz Single Phase
power consumption: 30mA

Outputs

6 Relays x 16A Each
In 6 Areas (Fully Isolated)
6 X 1-10V outputs

Control IO

3 x Advanced RS485 S-BUS
serial port links (both train &
screw link types)

Upgrade IO

1 x mini USB port (to connect to
special programming board)

User Controls

- front panel override switches, Includes ON/OFF/AUTO override switch for each channel
- LED status indicator/channel
- Diagnostic LED+ BROADCAST
- Device can be restored to previous scene or designated scene when power restore

Programming

- Advanced Software Configuration & Programming

Installation

- 35mm DIN-Rail Mount Ready
- Wall Mount Ready (8P)

Compliance

CE Mark Low Voltage
CE Mark EMC
ROHs, CPT, SABS

Internal Protection

- Over Heat Protection
- Over Load Protection
- BUS Rv. Polarity Protection
- BUS Short Circuit Protection
- Protection delay function (0-60 minutes) per Channel.

Preset and Scenes

6X12 Built in Scenes, and 2X4 Sequence Modes and Logics. maximum operating time: 60 Minutes. Orderly startup delay function in each channel. (0-25 seconds)

SBUS DC Supply

24VDC with flexible tolerance between 8-36VDC. Flexible ability to add power supply as to be needed any where

Supply Terminals

Line, 6X Inputs 2.5mm² - 4mm² max conductor size

Output Terminals

16X OUT for each channel 1 x 4mm² max conductor size

Operating Environment

-10° to 45°C ambient temperature 10% to 93% RH

Enclosure & Size

Polycarbonate, DIN-rail (8 Unit)

Dimensions & Weight

W 91mm x L 145mm x H 75mm
Packed weight 0.6kg



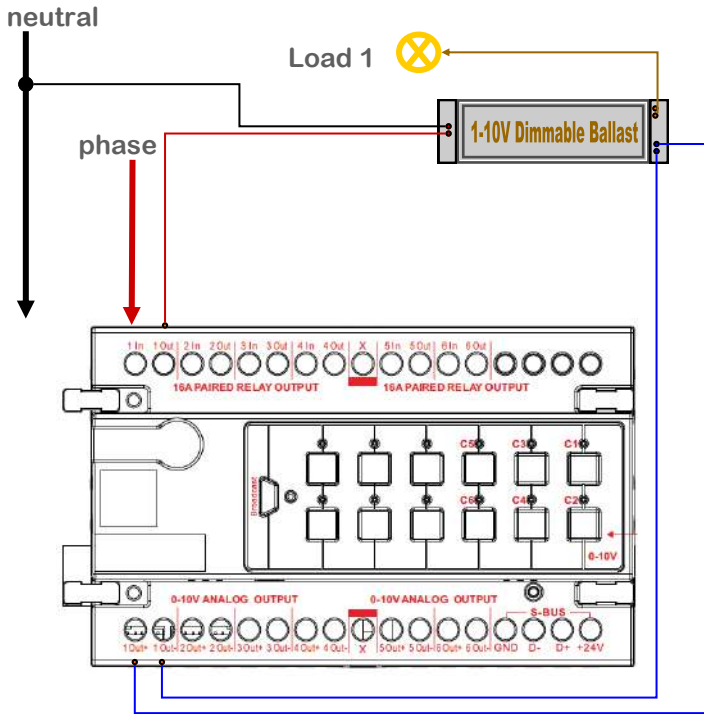
load compatibility

- 0-10V Dimmable Ballasts (for Fluorescent Lights)
- 0-10V Dimmable LED Drivers
- VAV 0-10V



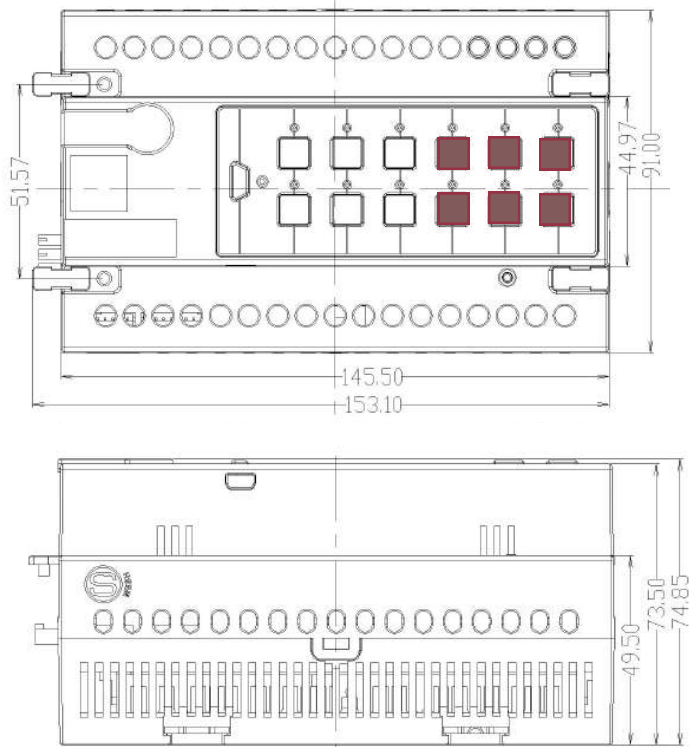
GTIN (UPC-EAN): 0610696254610
Patent P. No: 201110123081.0
Patent No: 201120452441.7

electrical diagram



Note: The S-BUS Power Supply is the Main Supply of 1-10V Power Needs and Thus enough Power Must be allocated in P. Supply needs calculations.

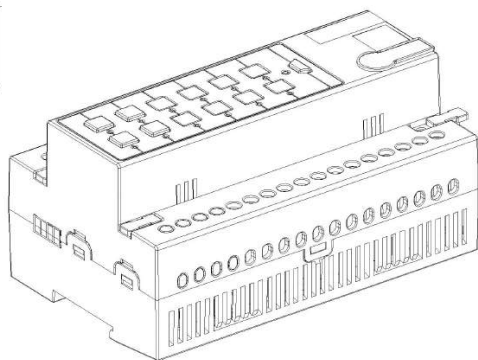
mounting dimensions



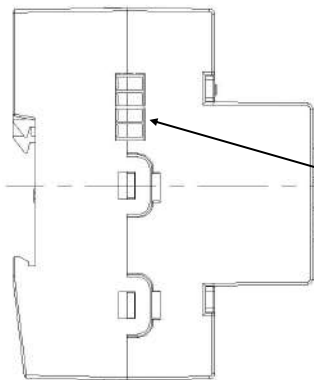
ELEVATION



Warning: this is an electrical product, it must be installed only by trained & licensed electrician

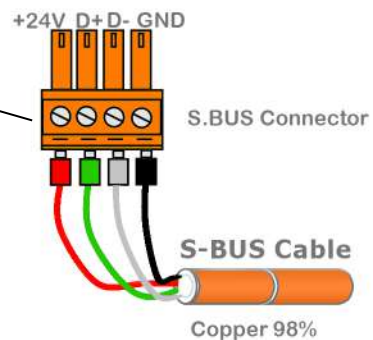


PROSPECTIVE



SIDE VIEW

S-BUS connection



UTP core colors

S.BUS +24V		אדום
S.BUS GND		שחר
S.BUS D+		ירוק
S.BUS D-		לבן